



Product Data Sheet

Category: Signage

Application: Edge Lighting Illumination

Product Code: LM-SL3-IP-W70

Product Name: 3 Optic LED Side Light Bar



- Features:**
- Quick and easy installation, with aluminium profile included and screw mounting option
 - 5 years warranty or 22000 hours, whichever comes first
 - Standard colour temperature of 7000K, but also available as custom orders in 3000K, 4500K, 6000K
 - 3 optic LEDs per length
 - Optic lens LEDs
 - Suitable for single sided light boxes of no more than 2m wide and with a depth of 80-200mm
 - Suitable for double sided light boxes of no more than 2m wide and with a depth of 140-400mm

Technical Data:

Input Power	Colour Temperature	Lumen Output	Lumen Efficiency (lm/w)	Power Consumption	LED Quantity	CRI	Beam Angle	Module Weight	Operating Temperature	IP Rating
24VDC 283mA	7000K	700lm	103lm/w	6.8watts	3 LEDs	>75	10x40°	280g	-25 to 60°C	IP65



Product Data Sheet

Category: Signage

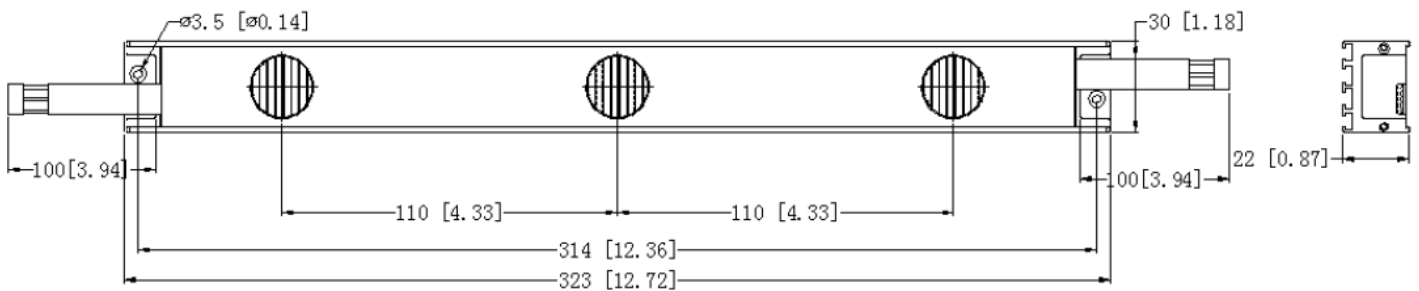
Application: Edge Lighting Illumination

Product Code: LM-SL3-IP-W70

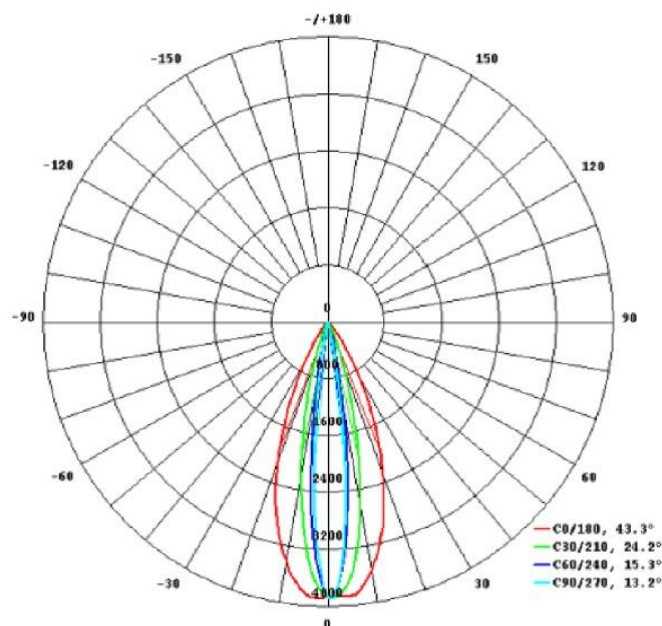
Product Name: 3 Optic LED Side Light Bar



Dimensions: Unit: mm[in]



Light Distribution:



S SIGNAGE **P** PROJECT **A** ARCHITECTURAL **R** RETAIL **C** COMMERCIAL



Product Data Sheet

Category: Signage

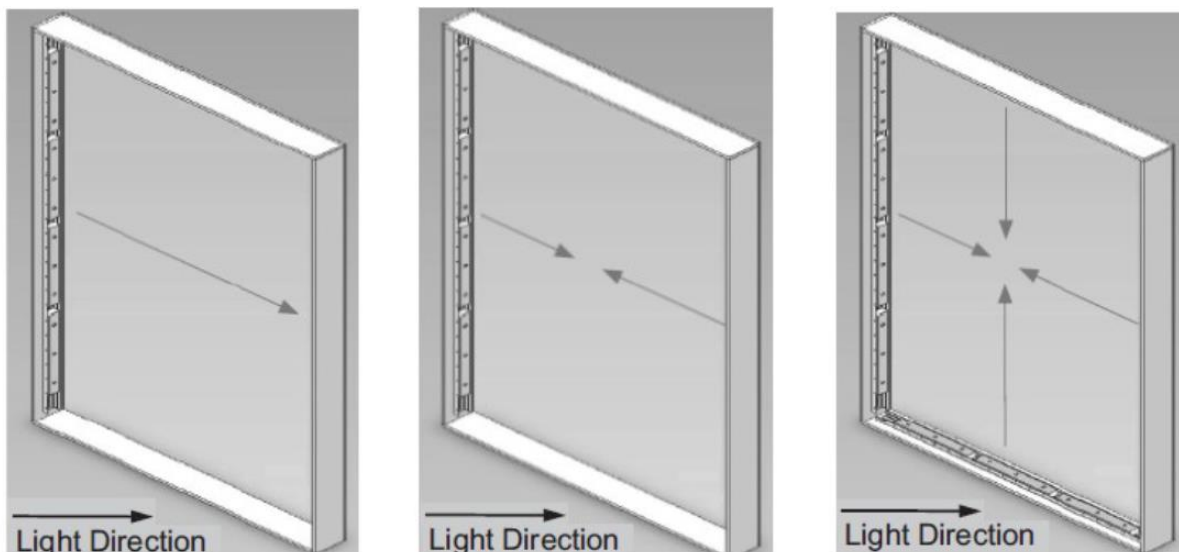
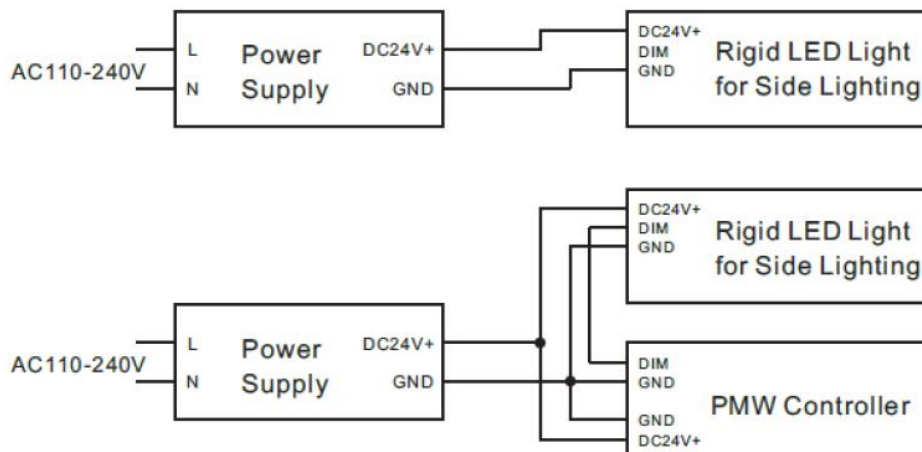
Application: Edge Lighting Illumination

Product Code: LM-SL3-IP-W70

Product Name: 3 Optic LED Side Light Bar



- Installation:**
- The maximum gap between two modules should be 140mm.
 - Dim end: dimming function with PWM signal, where the range of the signal is 0 to 5V.
 - All internals of the light box should be painted white for optimal light distribution.



S SIGNAGE **P** PROJECT **A** ARCHITECTURAL **R** RETAIL **C** COMMERCIAL



Product Data Sheet

Category: Signage

Application: Edge Lighting Illumination

Product Code: LM-SL3-IP-W70

Product Name: 3 Optic LED Side Light Bar



- Installation:**
- The below layout data are based on the 6000K colour temperature module.
 - Testing has been done using a double-sided light box with 40% luminous transmittance 3M P2 white flex.
 - The below luminance values are the average values with uniform surface illumination at the specified depth.
 - The below data are for reference only.

Size: Length*Width(m[in])	Depth(mm[in])	Layout	Surface Illuminance(lux)
2.0*1.5[78.74*59.06]	300[11.81]	1.5m(59.06in) two sides light	500
2.0*1.5[78.74*59.06]	300[11.81]	2.0m(78.74in) two sides light	441
1.5*1.0[59.06*39.37]	180[7.09]	1.5m(59.06in) two sides light	599
1.5*1.0[59.06*39.37]	180[7.09]	1.0m(39.37in) two sides light	835



Product Data Sheet

Category: Signage

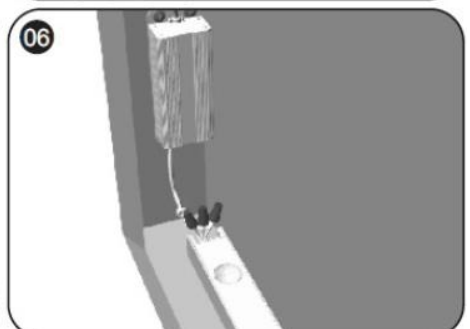
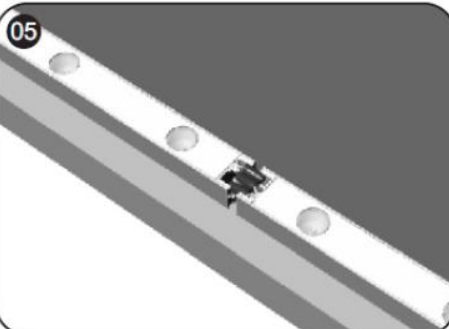
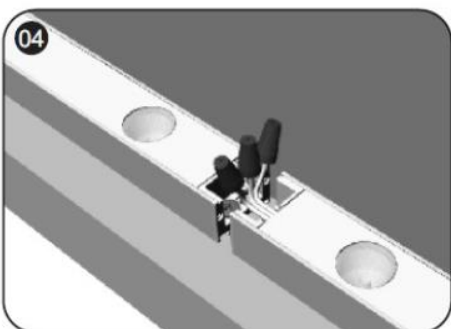
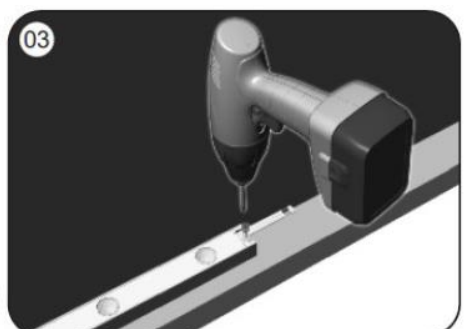
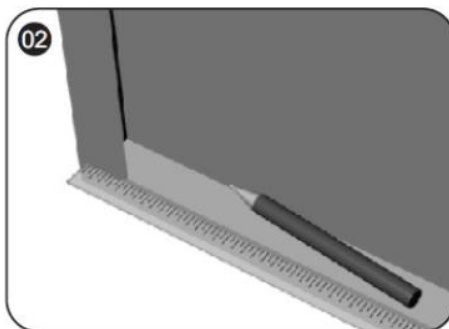
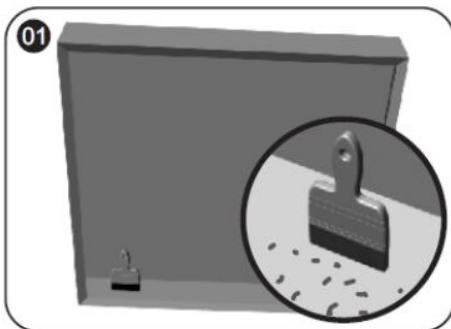
Application: Edge Lighting Illumination

Product Code: LM-SL3-IP-W70

Product Name: 3 Optic LED Side Light Bar



- Installation:**
1. Remove any debris from the mounting surface.
 2. Determine the mounting positions (ideal spacing is 7mm between modules, range can be up to 140mm).
 3. Secure the products with screws.
 4. Connect the products with twist-on wire connectors and treat the connectors with glass glue.
 5. Hide the twist-on wire connectors and wires in the gap between modules.
 6. Connect the products to the power supply (also connect to the PWM controller if applicable).





Product Data Sheet

Category: Signage

Application: Edge Lighting Illumination

Product Code: LM-SL3-IP-W70

Product Name: 3 Optic LED Side Light Bar



- Installation Notes:**
- Clean the mounting surface before installing the products.
 - Ensure the polarity of connections made at the module and psu are correct.
 - The connection made at the DIM end must be correct.
 - If dimming function is not being used, cut the exposed DIM wire and insulate for water resistance.
 - Connect the wires of the module to the power supply firmly.
 - The maximum power per string must not exceed 100W.
 - Cable between the psu and module should not exceed 0.5m when the max. number of modules are used.
 - Supply wire cable should be 18AWG or thicker.
 - Do not use acid or alkaline adhesive to secure the products.
 - Always use a safety certified 24V power supply – as supplied by NPA.
 - Do not disassemble or modify this product.
 - Do not install products when the power is on.
 - These products should be installed by a suitably qualified person to do so.
 - Always check the supply voltage and wire connections before putting power to the fixture.



Product Data Sheet

Category: Signage

Application: Edge Lighting Illumination

Product Code: LM-SL3-IP-W70

Product Name: 3 Optic LED Side Light Bar



Malfunctions & Solutions:

Symptoms	Possible Causes	Solutions
All the rigid LED lights do not light	1. There is no primary power.	Power on.
	2. Short circuit occurs at the input of power supply; No primary power for the power supply; The power supply is auto protected since the short or open circuit occurs at the output of the power supply.	Remove any short or open circuits and other malfunctions, and energize the fixture.
	3. The input wires of the rigid LED lights are connected reversely.	
Some rigid LED lights do not light	1. No primary power for some switch power supplies.	Check the power supply and remove malfunctions.
	2. Some rigid LED lights are wrongly connected to the power supply.	
	3. Some rigid LED lights' polarities are connected reversely.	Connect the wires correctly.

Symptoms	Possible Causes	Solutions
Brightness of the LED is dim or not even	1. The power supply is over loaded.	Use higher or more power supplies.
	2. The wire loss of the power supply is too much.	Make sure the working voltage of rigid LED light is within 95%-105% of the rated voltage, shorten the supply wire between the power supply and the first rigid LED light or use thicker supply wires.
	3. Too many rigid LED Lights are connected.	Adjust the quantity of LED lights for each string to meet the maximum quantity per string.
LEDs are blinking	1. Intermittent connections exist.	Find the intermittent connections and remove any malfunctions.
	2. Switch power supply doesn't work.	Replace the power supply.

S SIGNAGE **P** PROJECT **A** ARCHITECTURAL **R** RETAIL **C** COMMERCIAL