



Product Data Sheet

Category: Signage / Project / Architectural

Application: LED Power Supply

Product Code: LPS-24035-TR-LCU-E020-FP

Product Name: E020 24V 35W Power Supply



- Features:**
- Constant voltage LED driver
 - Universal input voltage range
 - Constant output voltage
 - Nominal life-time up to 50 000h
 - 5 year warranty
 - High efficiency, low power loss
 - Over-temperature and overload protection
 - Short circuit shutdown feature with automatic restart
 - IP20 rating
 - Includes pre-attached flex and plug
 - Also available in 12V (refer to 'E020 12V 35W Power Supply')

Technical Data:

Rated Supply Voltage	Input Voltage (AC)	Input Voltage (DC)	Output Voltage	Rated Current (at 230V 50Hz)	Mains Frequency	Efficiency	Output Power	Max. Input Power	Dimensions	Ambient Temp. ta
120-240V	108-264V	120-288V	24V	0.2A	0/50/60Hz	>80%	35W	42W	185x43x30mm	-25 to 50°C



Product Data Sheet

Category: Signage / Project / Architectural

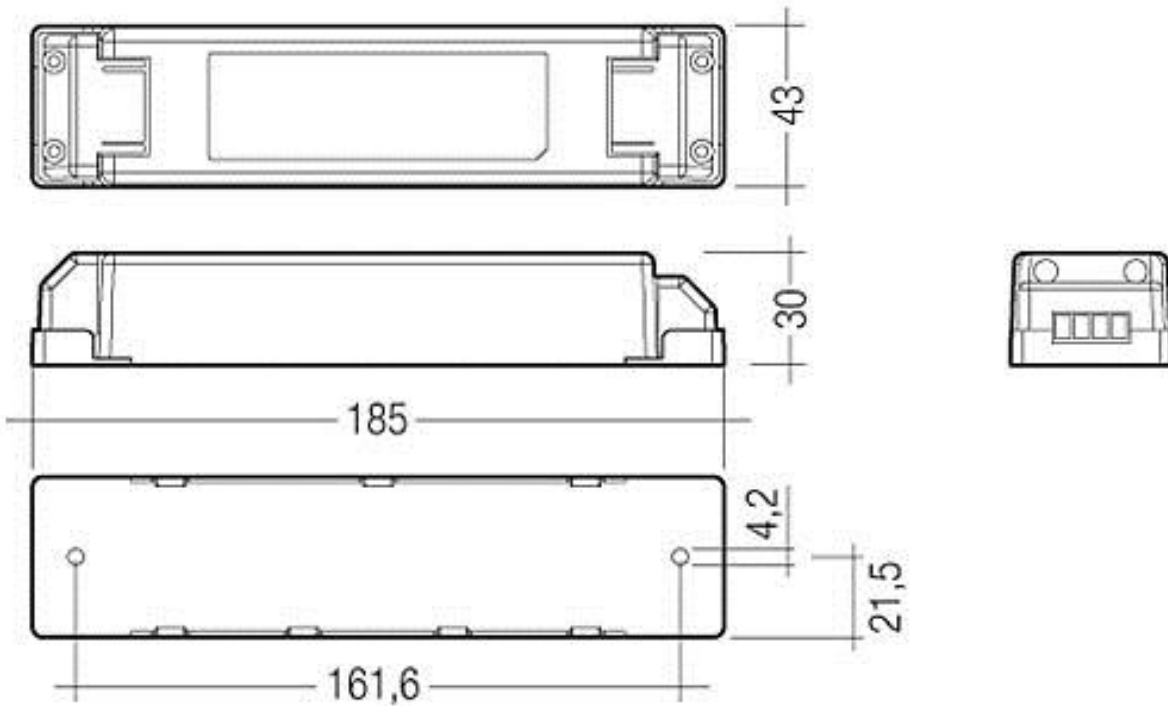
Application: LED Power Supply

Product Code: LPS-24035-TR-LCU-E020-FP

Product Name: E020 24V 35W Power Supply



Dimensional Drawings:



S SIGNAGE **P** PROJECT **A** ARCHITECTURAL **R** RETAIL **C** COMMERCIAL