



Product Data Sheet

Category: Project / Architectural

Application: Wall Plate RGB Control System

Product Code: FL-E-RGB-WP4C + FL-E-RGB-LCD-S

Product Name: Wall Plate RGB Controller with Slave



- Features:**
- No load wall plate controller (master) sends data to compatible slave controller (SLAVE #1), allowing for minimal wiring through wall and data to be sent over longer distances without voltage drop to LEDs
 - Minimum 18 pre-set lighting effects
 - For 12VDC and 24VDC LED systems
 - User friendly operation
 - 3 working channels : R G B
 - LCD screen displays current mode and speed status
 - Controller settings are retained when powered off
 - Custom colour effects can be created and stored via mode # 11
 - Wall plate dimensions match standard HPM/Clipsal wall plate



Product Data Sheet

Category: Project / Architectural








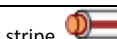
Application: Wall Plate RGB Control System

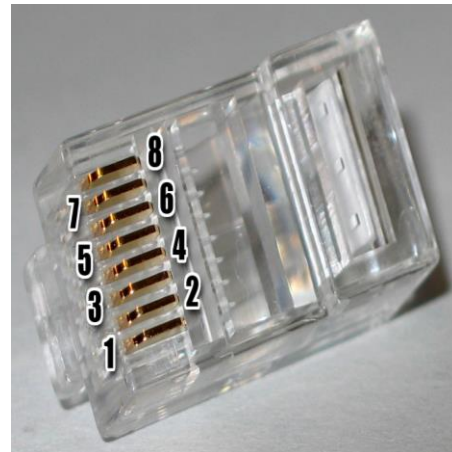
Product Code: FL-E-RGB-WP4C + FL-E-RGB-LCD-S

Product Name: Wall Plate RGB Controller with Slave



- Wiring:**
- CAT5 cable 1:1 wiring
 - Green/White wire (pin 1) = Data +
 - Green wire (pin 2) = Data -
 - Both pins 7 and 8 can be used for external power source V- and pins 4 and 5 for V+

Pin	T568A Pair	T568A Colour
1	3	White/green stripe 
2	3	Green solid 
3	2	White/orange stripe 
4	1	Blue solid 
5	1	White/blue stripe 
6	2	Orange solid 
7	4	White/brown stripe 
8	4	Brown solid 





Product Data Sheet

Category: Project / Architectural

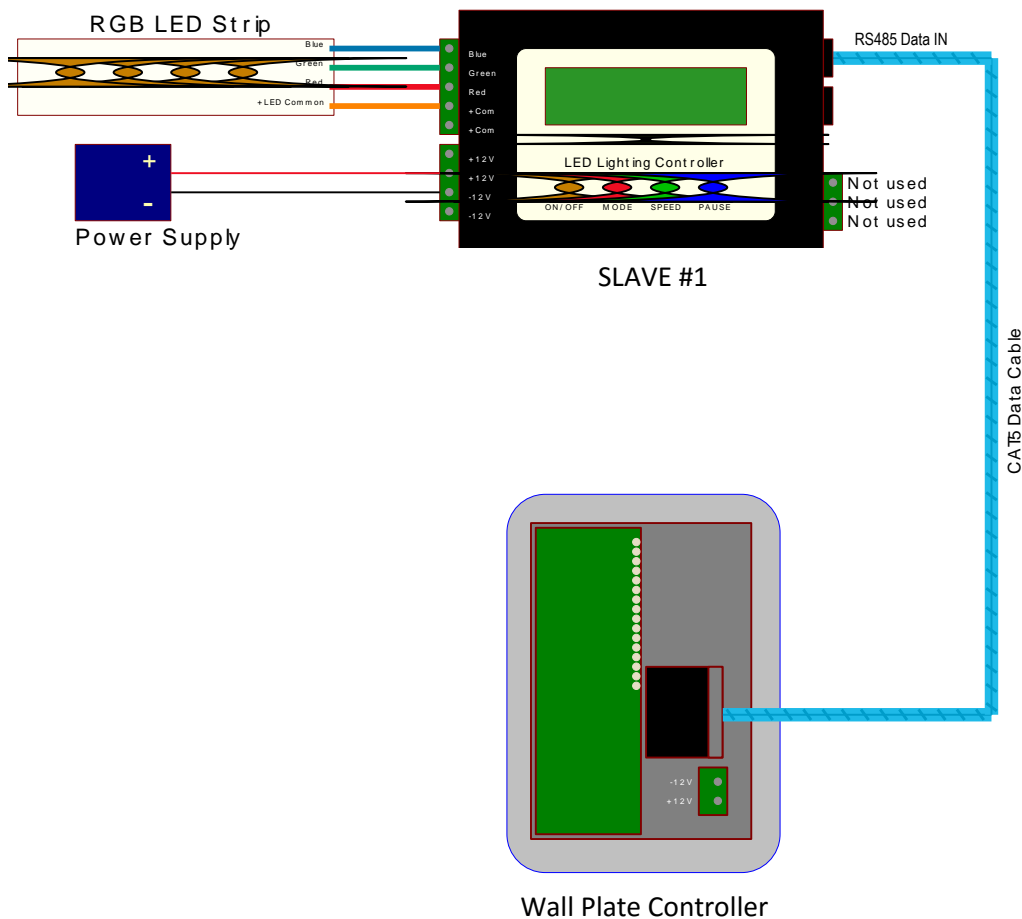
Application: Wall Plate RGB Control System

Product Code: FL-E-RGB-WP4C + FL-E-RGB-LCD-S

Product Name: Wall Plate RGB Controller with Slave



Wiring Diagram: Typical connection diagram using the power from the slave controller:





Product Data Sheet

Category: Project / Architectural

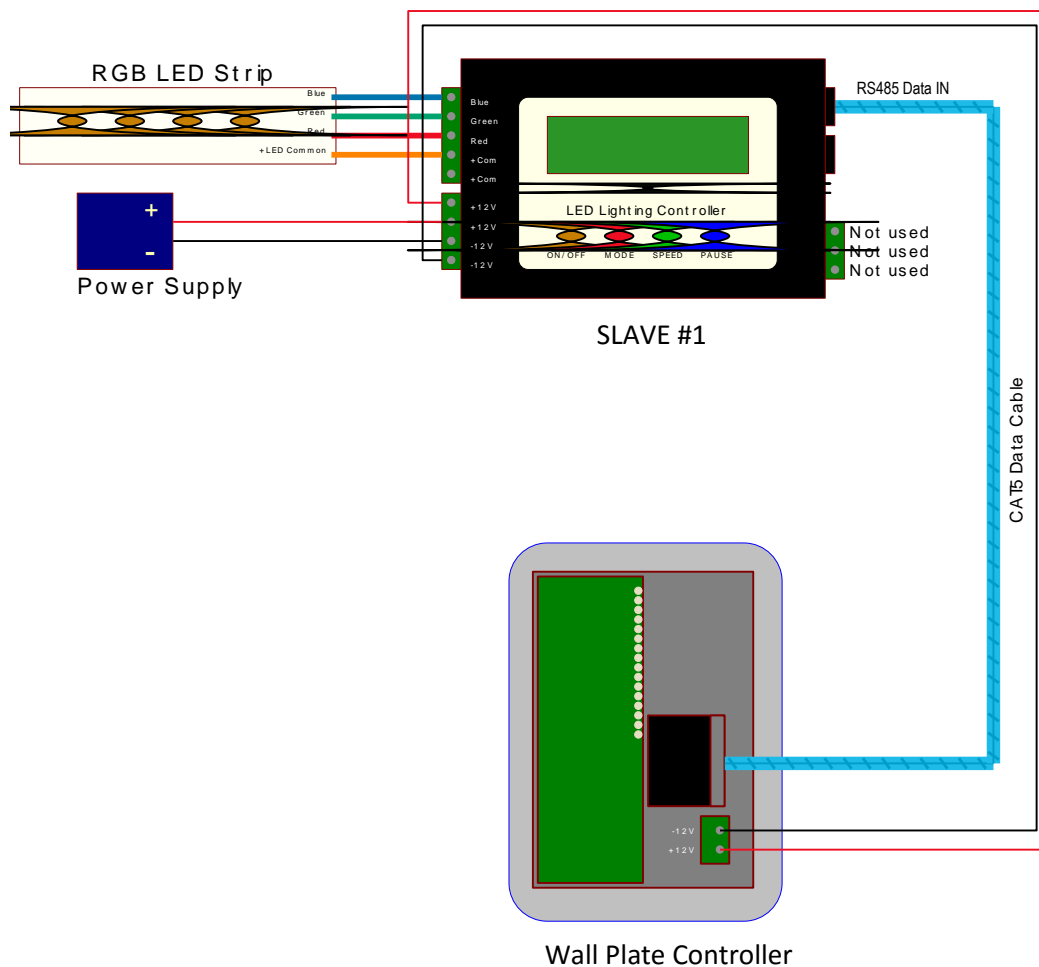
Application: Wall Plate RGB Control System

Product Code: FL-E-RGB-WP4C + FL-E-RGB-LCD-S

Product Name: Wall Plate RGB Controller with Slave



Wiring Diagram: Typical connection diagram using external power supply to drive the wall plate:





Product Data Sheet

Category: Project / Architectural

Application: Wall Plate RGB Control System

Product Code: FL-E-RGB-WP4C + FL-E-RGB-LCD-S

Product Name: Wall Plate RGB Controller with Slave



- Operation:**
- "ON/OFF" enables power on/off
 - "MODE" increments to the next lighting effect mode
 - "SPEED" increments to the next speed value, 100% being the slowest and 1% being the fastest
 - "PAUSE" freeze the colour when fading, invalid when on static colour

Lighting effects: Note: depending on the LED type used, colours may vary

Program # 1	Static RED	Program # 10	Static GOLD
Program # 2	Static PINK	Program # 11	Static custom
Program # 3	Static MAGENTA	Program # 12	RGB flash
Program # 4	Static GREEN	Program # 13	RED and BLUE flash
Program # 5	Static LIME	Program # 14	RED and GREEN flash
Program # 6	Static BLUE	Program # 15	CYAN to PINK to BLUE fade
Program # 7	Static CYAN	Program # 16	YELLOW to GREEN fade
Program # 8	Static AMBER	Program # 17	RGB cross over
Program # 9	Static YELLOW	Program # 18	RED to GREEN fade

****Static custom (Program # 11):** used to create any colour combination by adjusting the red (R), green (G) and blue (B) values from 0-100%. To adjust custom static values, select the custom static mode (Program #11) by pressing the "MODE" button. Pre-defined RGB values will be displayed. To adjust, press the "ON/OFF" button. The LCD screen will show "ADJUST COLOURS". To adjust the red intensity, press the "MODE" (red coloured) button. Do the same with green by pressing the "SPEED" (green coloured) button and the blue by pressing the "PAUSE" (blue coloured) button. Once the desired colours have been defined, press the "ON/OFF" button to save the values. RGB values selected are retained in memory even if power is switched off.